



Recorder



Flow



Pressure



Temp



Analyzer



Level

Datasheet

Pressure Transmitter

SUP-P400

**Supmea<sup>®</sup>**

Committed to process automation solutions

Tel: 86-15158063876

E-mail: [info@supmea.com](mailto:info@supmea.com)

[www.supmea.com](http://www.supmea.com)

**Datasheet****Pressure Transmitter  
SUP-P400**

SUP-P400 Series pressure transmitter is kind of device based on pressure layer, which inside expert integrate circuit can transform sensor milli-volt signal to standard far distance transmission current signal, and it can be directly joined with computer joint clip, control instrument , aptitude instrument or PLC etc. conveniently.

**Applications**

- Industrial process control
- Petroleum industry
- Chemical industry
- Paper industry
- Metallurgy

**Features**

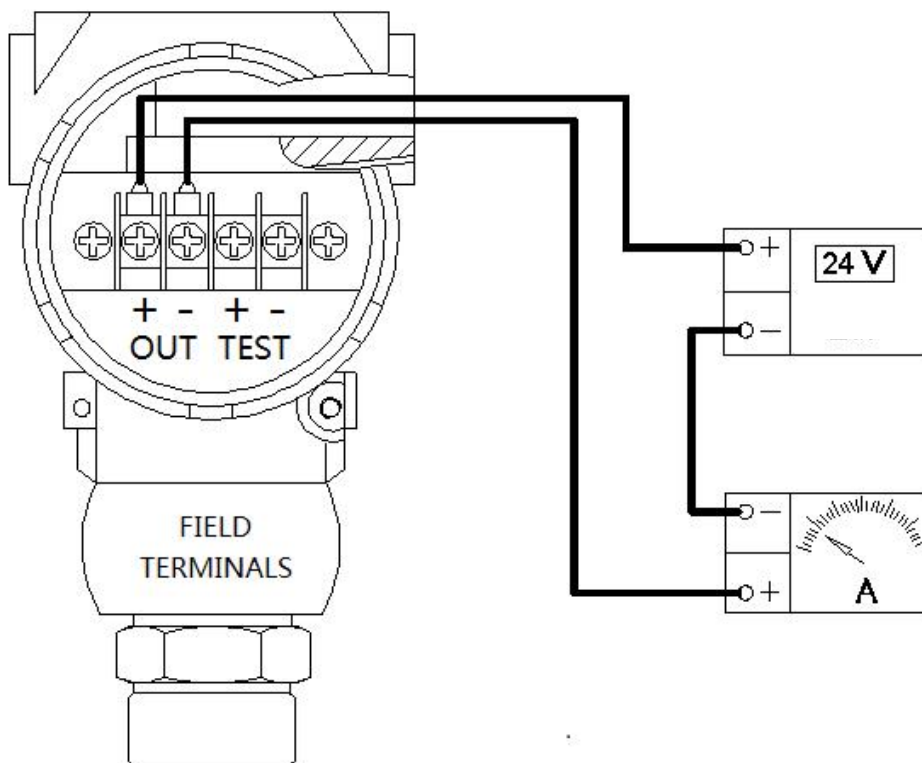
- The physical volume small, the weight is light.
- Work in the causticity environment.
- Ingress protection up to IP65.
- The whole stainless steel seals completely the structure, have the very high anti- to flap to pound at the function with anti.

**Pressure Transmitter**

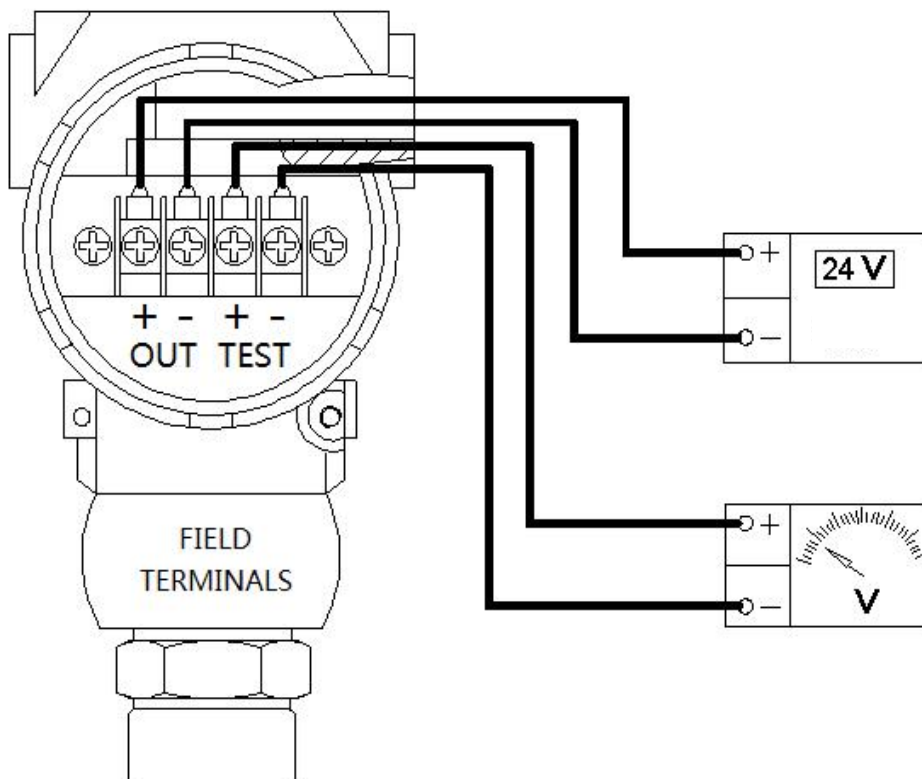
Parameters	
Power Supply	12V~32V ((4~20) mA , with display)
	10V~32V ((4~20) mA+RS485, with display)
Output	9V~32V ((4~20) mA, without display)
	(4~20)mA;(1~5)V;(0~10)V;(0~5)V;RS485
Accuracy	0.2%、0.25%、0.5%
Measurement range	-0.1...0...60Mpa
Pressure type	Gauge pressure, adiabatic pressure and sealed pressure
Compensation temperature	-10℃~70℃
Working temperature	-20℃~85℃
Medium temperature	-20℃~85℃
Storage temperature	-40℃~85℃
Zero-point temperature drift	±0.3%FS/10℃
Sensitivity temperature drift	±0.3%FS/10℃
Overload pressure	(0.035~10)MPa (150%FS) ; (10~60)MPa (125%FS)
Long-term stability	±0.2%FS/year
Response time	RS485 output≤100ms (up to 90%FS)
	Current and Voltage output≤10ms (up to 90%FS)
Insulation	20MΩ/250VDC
Ingress protection	IP65
Load Resistance	(U-9V)/0.02A

## Wiring

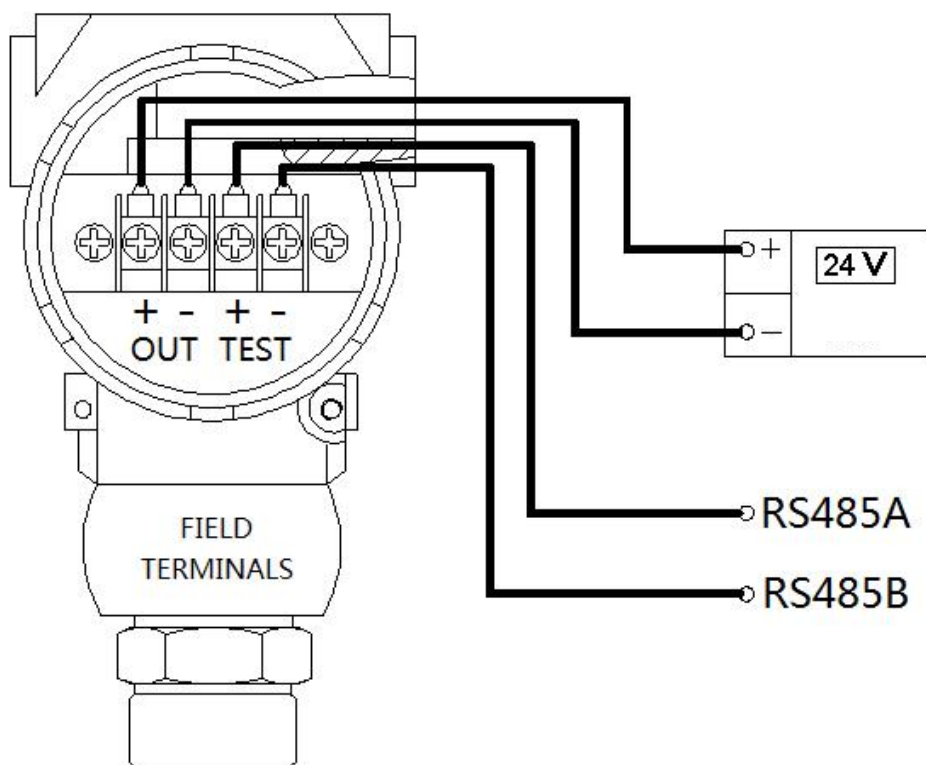
### ■ Current output



### ■ Voltage output

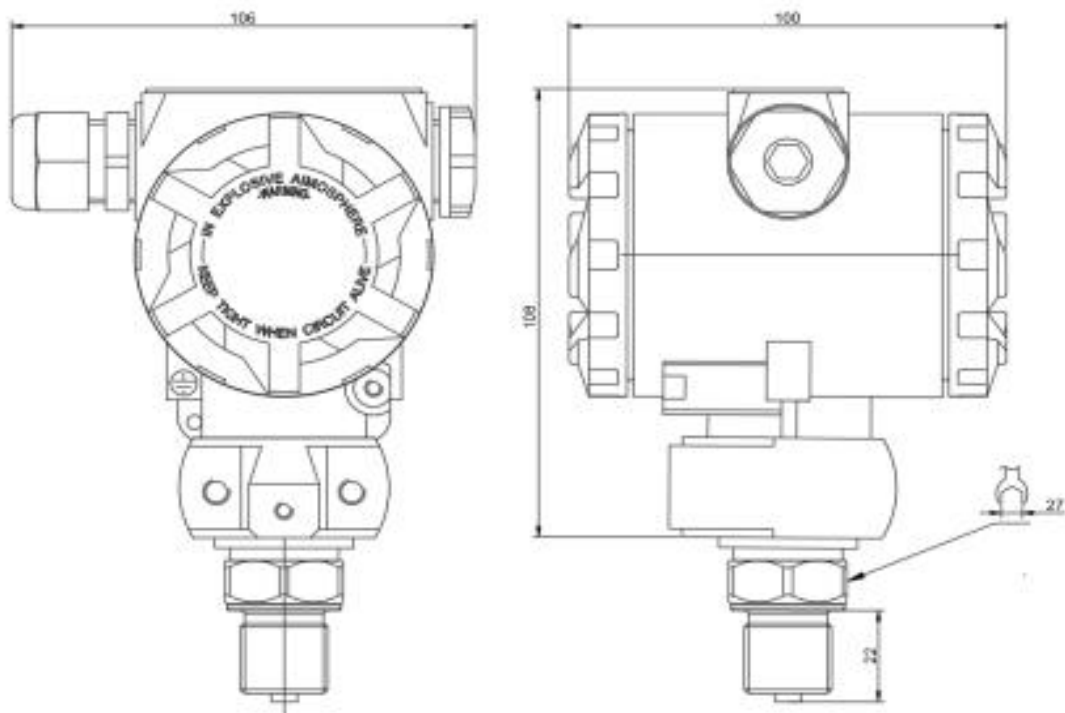


■ RS485 output

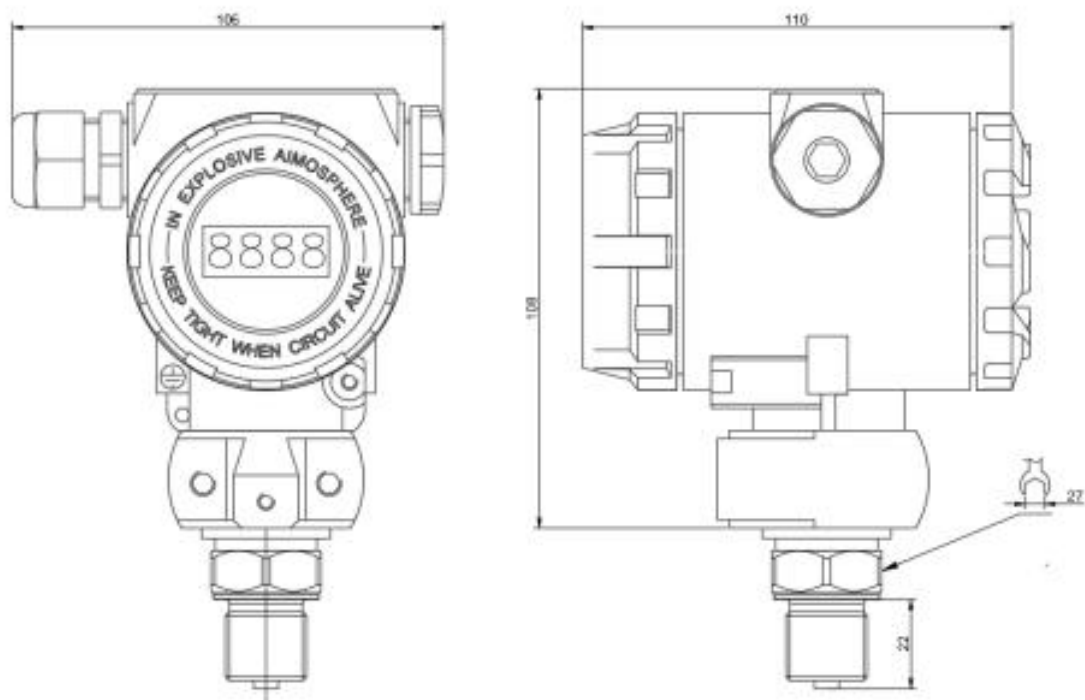


**Dimension**

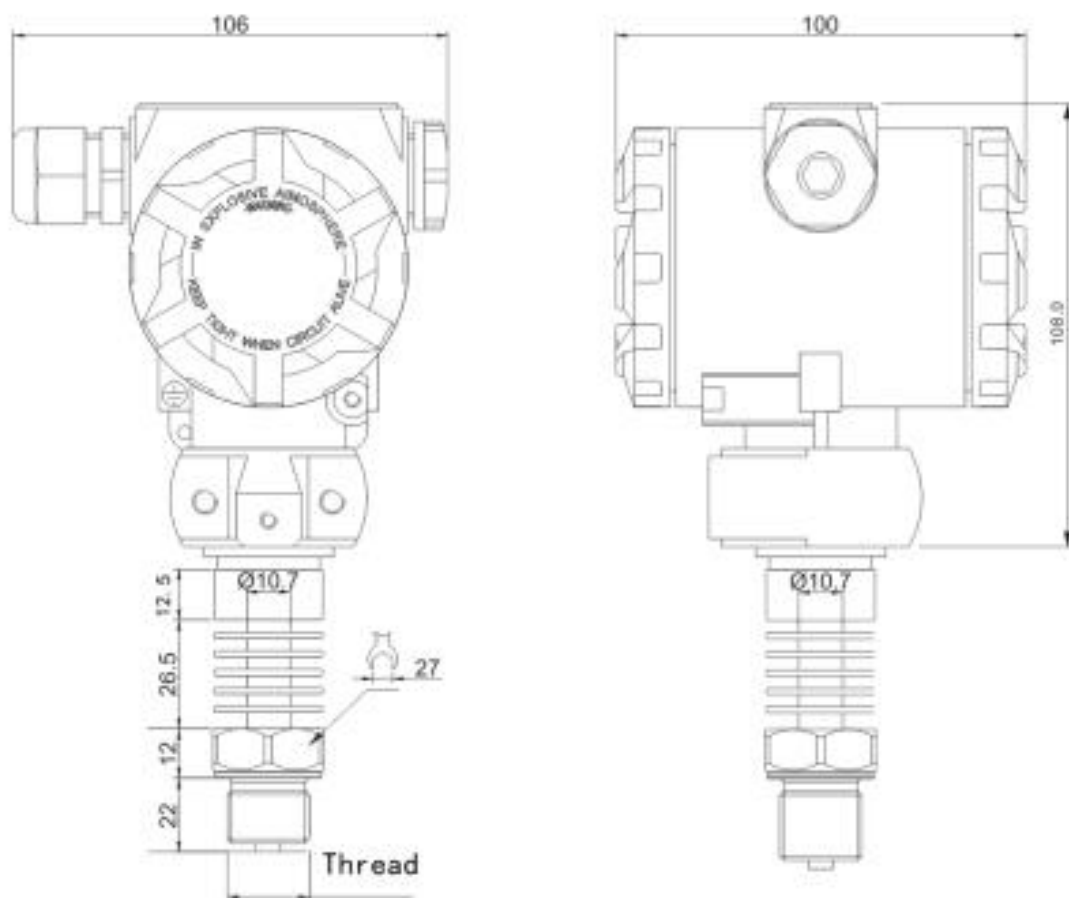
■ P400 without display



■ P400 with display



■ P400G



Ordering code

SUP-P400-G-RT(0-1)-J5-O1-I1-EI6-V1-DM1-GQ1-IP1-HM2													Description	
SUP-P400	-	-	-	-	-	-	-	-	-	-	-	-	-	Gauge pressure
Sensor type	G													Adiabatic pressure
	A													Sealed pressure
	S													
Measuring range	RT													-0.1MPa...0~10kPa
	(XX-XX)													...60MPa
Accuracy		J5												0.5%FS
		J4												0.25%FS
		J3												0.2%FS
Analog output			O0											Unable to transmit output
			O1											4 ~20mA
			O2											(1~5)V
			O3											(0~10)V
			O4											(0~5)V
			OZ1											(20~4)mA
			OZ2											(0.5~4.5)V
			OZ3											(0.5~2.5)V
Installation method			I1											M20*1.5
			I2											G1/4
			I3											G1/2
			I4											M14*1.5
			I5											NPT1/4
			I6											NPT1/2
			IZ											Other
Electrical Interface					EI6								M20*1.5	
Power supply							V1						24VDC	
Diaphragm material								DM1					316L stainless steel diaphragm	
Seal ring material									GQ1				Nitrile butadiene rubber sealing ring	
									GQ2				Fluorine rubber sealing ring	
Protection class										IP1			IP65	
Shell material											HM3		Aluminum shell	
Thread material												TM1	304	
												TM2	316L	