

Supmea



Pressure Gauge

Datasheet

SUP-Y290

The robust stainless steel case and the battery power enable a flexible operation in various applications and industries. For a precise and quick on-site reading of a pressure value, a digital indicator is the ideal solution. The back lighting also provides easy readability of the display in poor lighting conditions. Additional programming functions are: Automatic power-off, tare function and password protection. There is unit switching between the units bar, psi and MPa already integrated into the standard model Y190.

FEATURES

■ Highlights

- Accuracy : 0.4%FS
- Battery operation (2 x A AA cell)
- Screen:LCD display
- Size: 80mm , 100mm



■ Application

- Machine building
- Hydraulics water and pneumatics
- Pumps and compressors
- Service tasks
- Laboratory
- Engineering machine automation
- Instrument fittings
- Mechanical and electronic industry

■ Measure Range

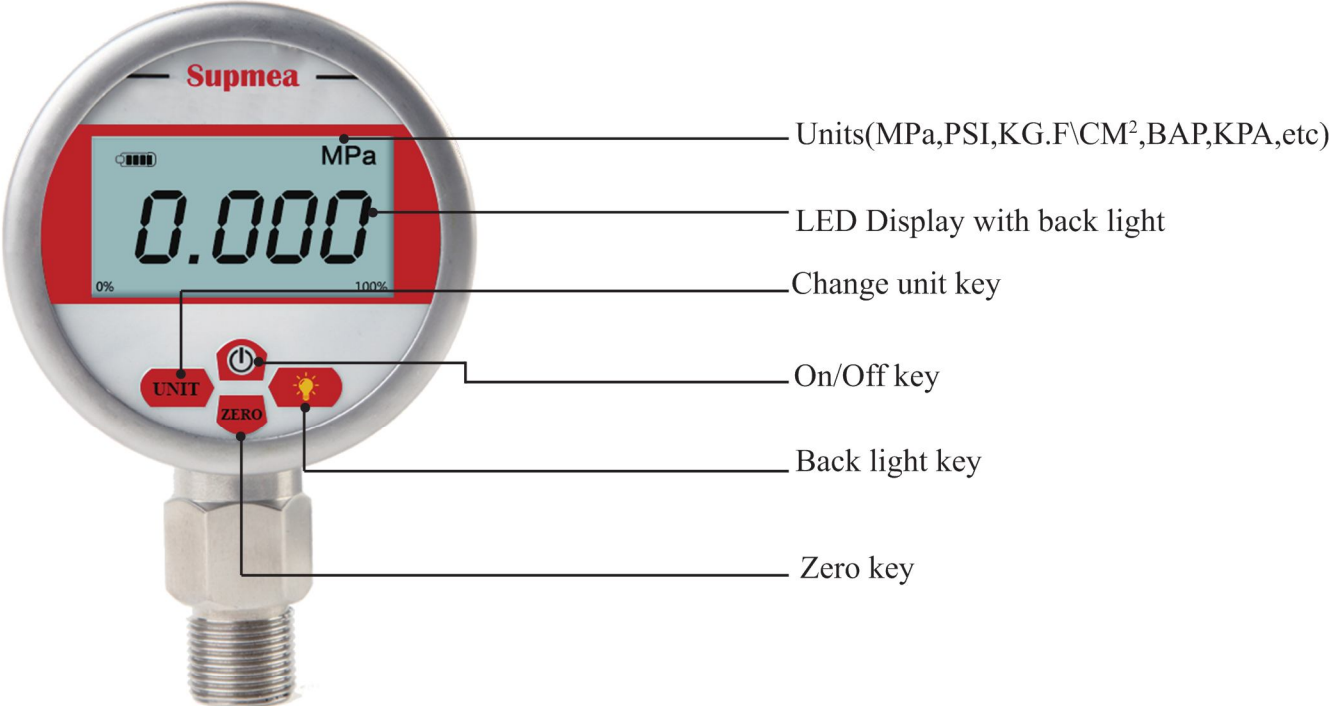
- 0-1...6..10..16..100..250...400...600...1000Bar
- 0~5..10...25...40...60...100kPa
- -0.1~0.1..0.25...0.6...1 MPa
- -60...-25...-10~10...25...60 kPa

TECHNICAL PARAMETERS

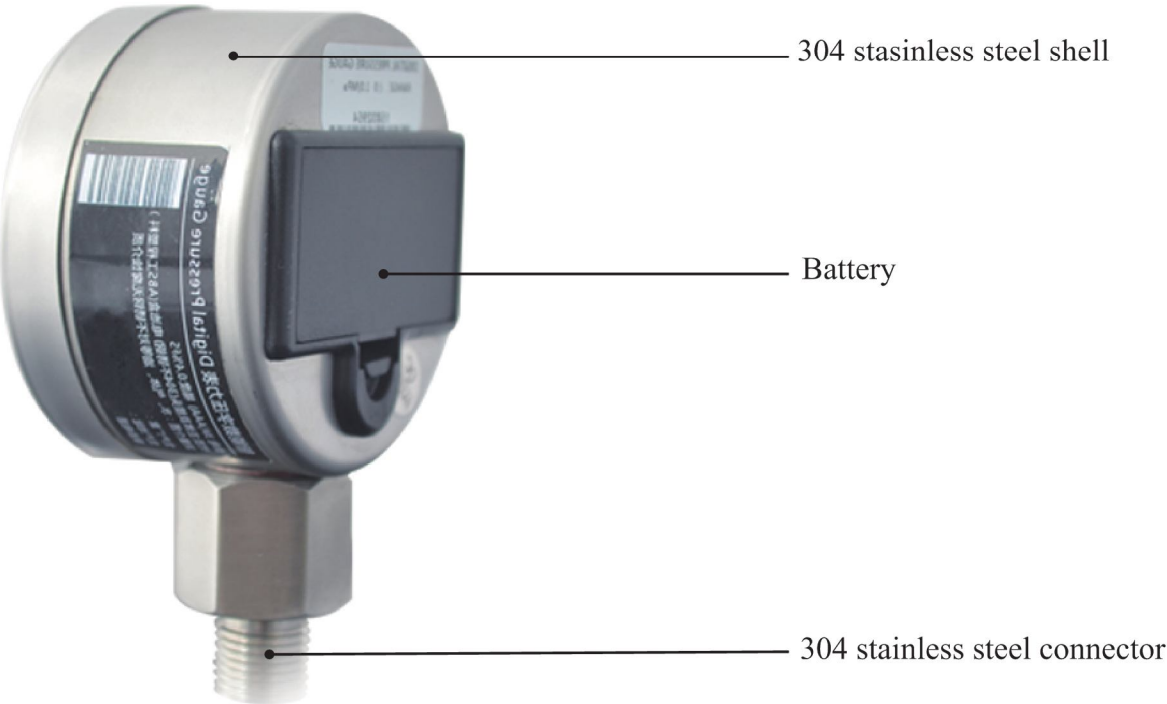
Pressure Overload	150%
Backlight color	white
Dimensions	SUP-Y290 (100mm) SUP-Y290 (80mm)
Accuracy	0.2%FS 0.4%FS
Long-Term Stability	Typical:±0.2%FS/Year
Operation Temp.	-10 ~ 70 °C (Special custom-20 °C~150 °C)
Compensation Temp	0 ~ 70 °C
Media Compatibility	Liquids and gases compatible with 316 SS
Tread type	M20*1.5 or customized
Sensor Wetted Parts	304 SS
Body Material	Stainless
Functions	On/off Backlight
	Reset Unit Calibration
Power Supply	battery powered

DISPLAY&APPEARANCE

■ Front View



■ Back View

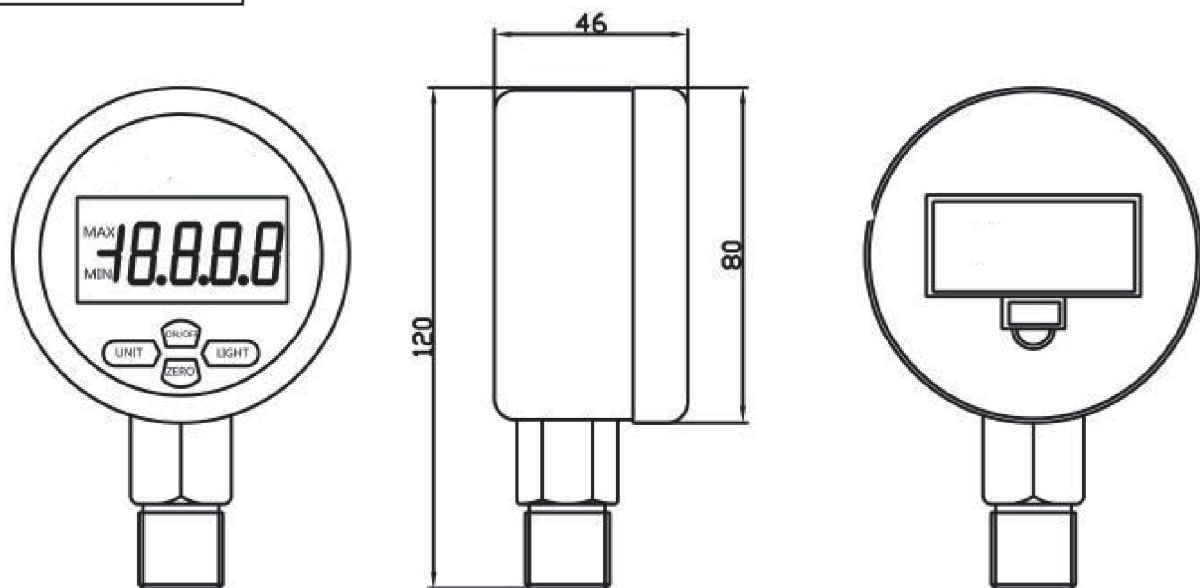


PROCESS CONNECTIONS

Thread	M20X1.5	G1/2	M14X1.5	G1/4
Size chart				
Unit : mm				
No.	C1	C2	C3	C4

Thread	G1/4	NPT1/2	NPT1/4	PT1/4
Size chart				
Unit : mm				
No.	C5	C6	C7	C8

DIMENSIONS



Supmea



Supmea

Hangzhou Supmea Automation Co.,Ltd

Tel: 86-15158063876 E-mail: sales@supmea.com

Add: 3st floor, Building 2, No. 452, No. 6 Street, Hangzhou, Zhejiang, China

Website: www.supmea.com